

3500/64M Dynamic Pressure Monitor

Datasheet

Bently Nevada Machinery Condition Monitoring

141536 Rev. P

Description

The 3500/64M Dynamic Pressure Monitor is a single slot, four-channel monitor that accepts input from high temperature pressure transducers and uses this input to drive alarms. The monitor's one measured variable per channel is bandpass dynamic pressure.

You can use the 3500 Rack Configuration Software to configure the bandpass corner frequencies along with an additional notch filter. The monitor provides a recorder output for control system applications.

The primary purpose of the 3500/64M Dynamic Pressure Monitor is to provide the following:

- Machinery protection by continuously comparing monitored parameters against configured alarm setpoints to drive alarms
- Essential machine information for operations and maintenance personnel

Each channel, depending on configuration, conditions its input signal to generate various parameters called **measured variables**. You can configure **alert** and **danger** setpoints for each active measured variable.



Specifications

Inputs

Signal	Accepts from 1 to 4 pressure transducer signals
--------	---

Input Impedance

3 wire transducer	10 kΩ
2 wire	1.5 MΩ to 3.5 MΩ typical

Sensitivity

Dynamic pressure	100 mV/psi (1.45 mV/mBar)
------------------	---------------------------

Outputs

Front Panel LEDs

OK LED	Indicates when the 3500/64M Dynamic Pressure Monitor is operating properly.
TX/RX LED	Indicates when the 3500/64M is communicating with other modules in the 3500 rack.
Bypass LED	Indicates when the 3500/64M is in Bypass Mode.

Buffered Transducer

Outputs	<p>The front of each monitor has one coaxial connector for each channel.</p> <p>Each connector is short-circuit protected.</p> <p>The Cascade Mode does not cascade the buffered transducer outputs.</p>
Output Impedance	550 Ω

Transducer Supplies

3 wire	-24 Vdc
--------	---------

2 wire	3.3 mA current source @ 22 Vdc (nominal)
Recorder outputs	<p>+4 to +20 mA Values are proportional to monitor full-scale.</p> <p>The monitor provides individual recorder values for each channel.</p> <p>Monitor operation is unaffected by short circuits on recorder outputs.</p>
Voltage Compliance (current output)	<p>0 to +12 Vdc range across load Load resistance is 0 to 600 Ω.</p>
Resolution	<p>0.3662 μA per bit ±0.25% error at room temperature -0.66 to +0.70% error over temperature range</p> <p>Update rate approximately 100 ms or less</p>

Signal Conditioning

Dynamic Pressure - Direct Filter

Low mode	<p>5 Hz to 4 KHz</p> <p>If no LP filter is chosen, the range extends to approximately 5.285 KHz</p>
High mode	<p>10 Hz to 14.75 KHz Fixed low pass</p>

Low and high filtering modes are options for a channel pair. Channels 1 and 2 form a pair, and channels 3 and 4 are the other pair. You may select different band pass options on each channel of a channel pair. However, the channels within the pair must operate in the same filtering mode.

You can set up the signal processing so that the monitor feeds only the channel 1 input to all four channels. This feature is called Cascade

Mode and is denoted as **T >ALL** in the 3500 Rack Configuration Software.

In Cascade Mode, you can select filter mode options for a channel pair only. One transducer provides input to four channels for different filtering requirements. As a result, you can configure four separate bandpass filter options and four separate full-scale ranges with one transducer input.

The two modes of filtering provide different qualities of filtering.

Low Mode

Filter Quality

High pass	10-pole (200dB per decade, 60 dB per octave)
Low pass (LP)	10-pole (200dB per decade, 60 dB per octave)
Fixed low pass LP = none	-78 dB minimum attenuation in the stop band.

High Mode

Filter Quality

High pass Low pass	6-pole (120 dB per decade, 36 dB per octave) -65 dB minimum attenuation in the stop band
Line rejection (notch) filter	The line rejection filter has two settings, 50 or 60 Hz. Filter response and center frequency selections are valid for both settings.
Filter quality response	-0.175 dB (98%) of Full Scale at Center Frequency of +2 Hz and above -0.175 dB (98%) of Full Scale at Center Frequency of -2 Hz and below -35 dB (1.8%) of Full Scale from -0.5 Hz of Center Frequency to +0.5 Hz of Center Frequency

Measured Variables

Dynamic pressure direct	The primary value for each channel
-------------------------	------------------------------------

Physical

Monitor Module (Main Board)

Dimensions (Height x Width x Depth)	241.3 mm x 24.4 mm x 241.8 mm (9.50 in x 0.96 in x 9.52 in)
Weight	0.82 kg (1.8 lb)

I/O Modules (non-barrier)

Dimensions (Height x Width x Depth)	241.3 mm x 24.4 mm x 99.1 mm (9.50 in x 0.96 in x 3.90 in)
Weight	0.20 kg (0.44 lb)

I/O Modules (with barrier)

Dimensions (Height x Width x Depth)	241.3 mm x 24.4 mm x 163.1 mm (9.50 in x 0.96 in x 6.42 in)
Weight	0.46 kg (1.01 lb)

Alarms

Alarm Setpoints	<p>Use the 3500 Rack Configuration Software to set alert and danger levels for the direct values measured by the monitor.</p> <p>Alarms are adjustable from 0 to 100% of full-scale for each measured value. However, when the full-scale range exceeds the range of the transducer, the range of the transducer will limit the setpoint.</p>
Accuracy of alarm setpoints	Within 0.13% of the desired value

Alarm Time Delays

You can program alarm delays using the 3500 Rack Configuration Software from one to 60 seconds in one second intervals.

Alert	From one to 60 seconds in one second intervals
Danger	0.1 seconds or from one to 60 seconds in 0.1 second intervals

Compliance and Certifications

FCC

This device complies with part 15 of the FCC Rules. Operation is subject to the following two conditions:

- This device may not cause harmful interference.
- This device must accept any interference received, including interference that may cause undesired operation.

EMC

European Community Directive:

EMC Directive 2014/30/EU

Standards:

EN 61000-6-2; Immunity for Industrial Environments
 EN 61000-6-4; Emissions for Industrial Environments

Electrical Safety

European Community Directive:

LV Directive 2014/35/EU

Standards:

EN 61010-1

RoHS

European Community Directive:

RoHS Directive 2011/65/EU

Maritime

DNV GL rules for classification – Ships, offshore units, and high speed and light craft

ABS Rules for Condition of Classification, Part 1

- Steel Vessels Rules
- Offshore Units and Structures



Hazardous Area Approvals

For the detailed listing of country and product specific approvals, refer to the *Approvals Quick Reference Guide* (108M1756) available from Bently.com.

cNRTLus

When used with I/O module ordering options without internal barriers	Class I, Zone 2: AEx/Ex nA nC ic IIC T4 Gc; Class I, Zone 2: AEx/Ex ec nC ic IIC T4 Gc; Class I, Division 2, Groups A, B, C, and D; T4 @ Ta= -20°C to +65°C (-4°F to +149°F) When installed per drawing 149243 or 149244.
When used with I/O module ordering options with internal barriers	Class I, Zone 2: AEx/Ex nA nC ic [ia Ga] IIC T4 Gc; Class I, Zone 2: AEx/Ex ec nC ic [ia Ga] IIC T4 Gc; Class I, Division 2, Groups A, B, C, and D (W/ IS Output for Division 1) T4 @ Ta= -20°C to +65°C (-4°F to +149°F) When installed per drawing 138547.

ATEX/IECEx

When used with I/O module ordering options without internal barriers	 II 3 G Ex nA nC ic IIC T4 Gc; Ex ec nC ic IIC T4 Gc; T4 @ Ta= -20°C to +65°C (-4°F to +149°F) When installed per drawing 149243 or 149244.
When used with I/O module ordering options with internal barriers	 II 3(1) G Ex nA nC ic [ia Ga] IIC T4 Gc; Ex ec nC ic [ia Ga] IIC T4 Gc; T4 @ Ta= -20°C to +65°C (-4°F to +149°F) When installed per drawing 138547.

Ordering Information

For the detailed listing of country and product specific approvals, refer to the *Approvals Quick Reference Guide* (108M1756) available from Bently.com.

Dynamic Pressure Module 3500/64 - AA - BB

A: I/O Module Type

01	I/O Module with Internal Termination
02	I/O Module with External Termination

B: Agency Approval

00	None
01	cNRTLus (Class I, Division 2)
02	ATEX / IECEx / CSA (Class I, Zone 2)

External Termination (ET) Blocks

Part Number	Description
128015-09	Dynamic Pressure ET Block Terminal Strip connectors
125808-09	Dynamic Pressure ET Block Euro Style connectors
128710-01	Recorder Out ET Block Terminal Strip connectors
128702-01	Recorder Out ET Block Euro Style connectors

Cables

3500 Dynamic Pressure Signal to External Termination Block Cable 129525 - AAAA-BB

A: I/O Cable Length

0005	5 feet (1.5 metres)
0007	7 feet (2.1 metres)
0010	10 feet (3.0 metres)
0025	25 feet (7.6 metres)
0050	50 feet (15.2 metres)
0100	100 feet (30.5 metres)

B: Assembly Instructions

01	Not assembled
02	Assembled

3500 Recorder Output to External Termination Block Cable 129529-AAAA-BB

A: I/O Cable Length

0005	5 feet (1.5 metres)
0007	7 feet (2.1 metres)
0010	10 feet (3.0 metres)
0025	25 feet (7.6 metres)
0050	50 feet (15.2 metres)
0100	100 feet (30.5 metres)

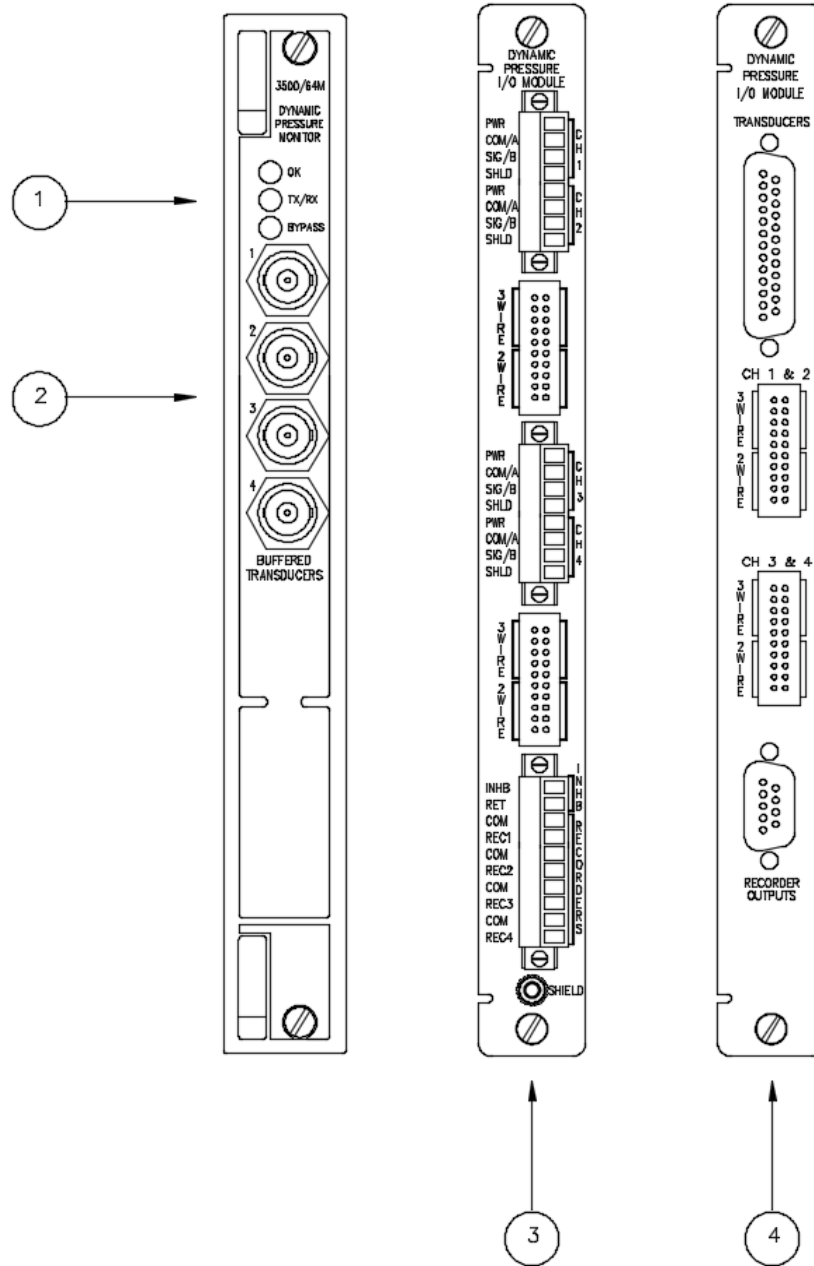
B: Assembly Instructions

01	Not assembled
02	Assembled

Spares

Part Number	Description
176449-05	3500/64M Dynamic Pressure Monitor
140471-02	I/O Module Internal Termination
140482-02	I/O Module External Termination
143729-01	Cylinder Pressure I/O Internal Termination
04425545	Grounding wrist strap
04400037	IC Removal Tool
00580434	Connector Header Internal Termination 8 position, Green
00580436	Connector Header Internal Termination 6 position Green
00502133	Connector Header Internal Termination 12 position Blue
166M2389	Connector Header Push-in-Spring Type (Alternative for PN 00580434)
166M2388	Connector Header Push-in-Spring Type (Alternative for PN 00580432)

Graphs and Figures



1. Status LEDs
2. Buffered Transducer Outputs
3. I/O Module with Internal Terminations
4. I/O Module with External Terminations

Figure 1: Front and Rear Views of 3500/64M Dynamic Pressure Monitor

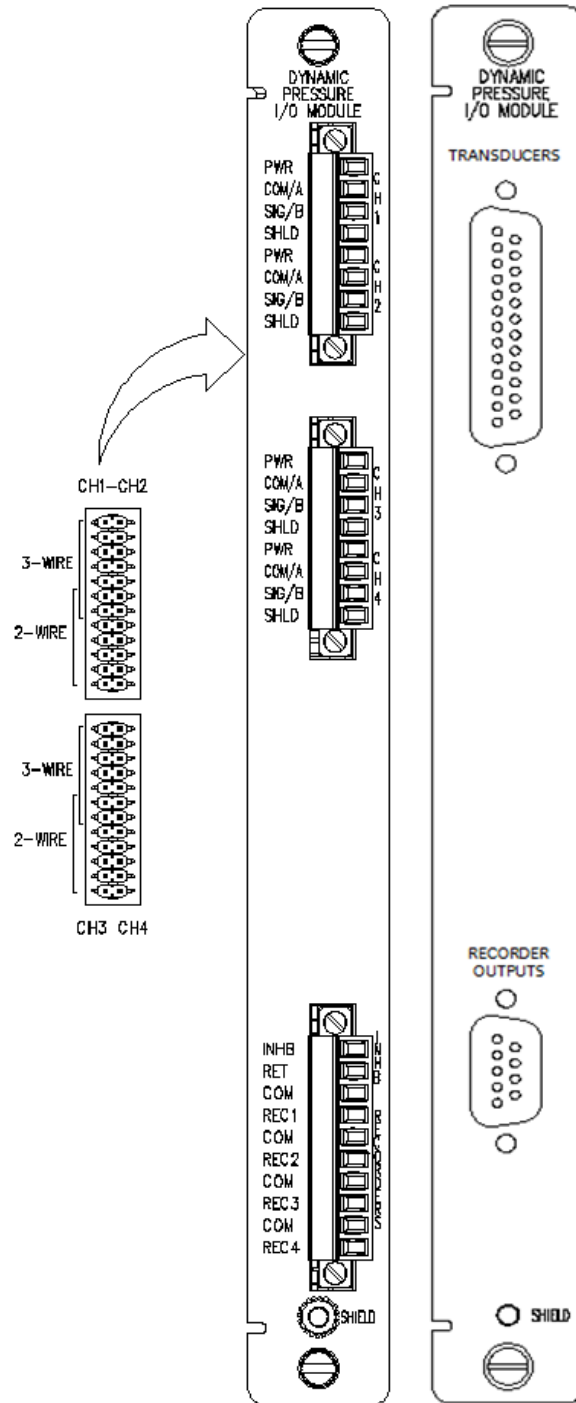


Figure 2: Side View of I/O Modules for 3500/64M

The I/O modules with internal or external terminations have the same jumpers.

Copyright 2023 Baker Hughes Company. All rights reserved.



Bently Nevada, M2 and Orbit Logo are registered trademarks of Bently Nevada, a Baker Hughes business, in the United States and other countries. The Baker Hughes logo is a trademark of Baker Hughes Company. All other product and company names are trademarks of their respective holders. Use of the trademarks does not imply any affiliation with or endorsement by the respective holders.

Baker Hughes provides this information on an "as is" basis for general information purposes. Baker Hughes does not make any representation as to the accuracy or completeness of the information and makes no warranties of any kind, specific, implied or oral, to the fullest extent permissible by law, including those of merchantability and fitness for a particular purpose or use. Baker Hughes hereby disclaims any and all liability for any direct, indirect, consequential or special damages, claims for lost profits, or third party claims arising from the use of the information, whether a claim is asserted in contract, tort, or otherwise. Baker Hughes reserves the right to make changes in specifications and features shown herein, or discontinue the product described at any time without notice or obligation. Contact your Baker Hughes representative for the most current information.

The information contained in this document is the property of Baker Hughes and its affiliates; and is subject to change without prior notice. It is being supplied as a service to our customers and may not be altered or its content repackaged without the express written consent of Baker Hughes. This product or associated products may be covered by one or more patents. See [Bentley.com/legal](https://www.bentley.com/legal).

1631 Bently Parkway South, Minden, Nevada USA 89423
Phone: 1.775.782.3611 (US) or [Bentley.com/support](https://www.bentley.com/support)
[Bentley.com](https://www.bentley.com)