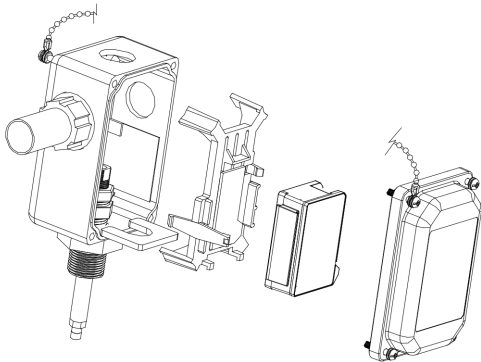


PROXPAC XL Proximity Transducer Assembly

Datasheet

Bently Nevada Machinery Condition Monitoring

178554 Rev. D



Description

The design of the PROXPAC XL Proximity Transducer Assembly is similar to our 31000/32000 Proximity Probe Housing Assemblies. The assembly offers the same advantages and features as the 31000 and 32000 housings for accessing and externally adjusting proximity probes. However, the housing cover of the PROXPAC XL Assembly also contains its own 3300 XL Proximitor sensor. This design makes the PROXPAC XL Assembly a completely self-contained proximity probe system, and eliminates the need for an extension cable between the probe and its associated Proximitor sensor. It also eliminates the need for a separate Proximitor housing, as the field wiring connects directly between the monitors and PROXPAC XL Assemblies.

The PROXPAC XL housing is made of Polyphenylene Sulfide (PPS), which is an advanced, molded thermoplastic. This material replaces the steel and aluminum in previous housings offered in the Bently Nevada product line. It also incorporates glass and conductive fibers in the PPS to strengthen the housing and more effectively dissipate electrostatic charges. The PROXPAC XL housing is rated for Type 4X and for IP66 environments and provides extra protection in severe environments.



Specifications

Electrical

Proximitor Sensor Input	3300 XL 8 mm Proximity Probe with a 1-metre cable length installed in the probe sleeve.
Power	Requires -17.5 Vdc to -26 Vdc without barriers at 12 mA maximum consumption, -23 Vdc to -26 Vdc with barriers. Operation at a more positive voltage than -23.5 Vdc can result in reduced linear range.
Supply Sensitivity	Less than 2 mV change in output voltage per volt change in input voltage.
Output resistance	50 Ω
Nominal Probe DC Resistance (R_{PROBE})	
Resistance from the Center Conductor to the Outer Conductor	
Probe Length (m)	R _{PROBE} (Ω)
1.0	7.59 ± 0.50
Field wiring	0.2 to 1.5 mm ² (16 to 24 AWG) . Recommend using 3-conductor shielded triax cable and tinned field wiring. Maximum length of 305 metres (1,000 feet) between the 3300 XL Proximitor Sensor and the monitor. See the frequency response graph (Figure 1, page 7) for signal rolloff at high frequencies when using longer field wiring lengths.
Linear Range	2 mm (80 mils). Linear range begins at approximately 0.25 mm (10 mils) from

	target and is from 0.25 mm to 2.3 mm (10 mils to 90 mils) (approximately -1 Vdc to -17 Vdc).
Recommended Gap Setting	1.27 mm (50 mils)
Incremental Scale Factor (ISF)	7.87 V/mm (200 mV/mil) ±5% including interchangeability error when measured in increments of 0.25 mm (10 mils) over the 80 mil linear range from 0 °C to +45 °C (+32 °F to +113 °F) at a maximum altitude of 2000m.
Deviation from best fit straight line (DSL)	
Standard 1 metre system	Less than ±0.025mm (±1 mil) with components at 0 °C to +45 °C (+32 °F to +113 °F).
Frequency Response	0 to 10 kHz: +0, -3 dB, with up to 305 metres (1000 feet) of field wiring.
Minimum Target Size	15.2 mm (0.6 in) diameter (flat target)
Shaft Diameter	
Minimum	50.8 mm (2.0 in)
Recommended minimum	76.2 mm (3.0 in) When gapped at the center of the linear range, the interaction between two separate transducer systems (cross-talk) will be less than 50 mV on shaft diameters of at least 50 mm (2.0 in) or greater. Care should be taken to maintain minimum separation of transducer tips, generally at least 40 mm (1.6 in) for axial position measurements or 38 mm (1.5 in) for radial vibration measurements to limit cross-talk to 50 mV or

less. Radial vibration or position measurements on shaft diameters smaller than 76.2 mm (3.0 in) will generally result in a change in scale factor. Consult Performance Specification 159484 for additional information.

Effects of 60 Hz Magnetic Fields Up To 300 Gauss

Output Voltage in Millivolt/Gauss

Gap (mils)	1-metre Proximitior Sensor	Probe
10	0.0124	0.0004
50	0.0110	0.0014
90	0.0126	0.0045

Electrical Classification:
 Complies with the European CE mark.

Mechanical

Housing Ratings	IP66 rating verified by BASEEFA report number T07/0709.
Probe Tip Material	Polyphenylene Sulfide (PPS)
Probe Case Material	AISI 304 stainless steel
Probe Cable	1-metre length, 75 Ω triaxial, fluoroethylene propylene (FEP) insulated.
Probe Connector	Gold-plated brass ClickLoc connector.
Probe Tensile Strength	330 N (75 lb) between probe cable and case, maximum.
Housing Material	Ultraviolet (UV) resistant, glass-reinforced polyphenylene sulfide (PPS) thermoplastic

containing conductive fibers.

Sleeve Material and Retaining Chain	AISI 304 stainless steel
Outer Sleeve and Retaining Screws	AISI 303 stainless steel
Sleeve O-Ring Material	Neoprene
Grounding Liner and Retaining Plate Material	AISI 304 Stainless Steel
Vibration Isolation Material	Extra Soft Cellular Silicone
Lid Label Material	Gloss Radiant White Polyester


Recommended Torque

Retaining Nut	29.5 N·m (260 in·lb)
Probe Sleeve Locknut	39.3 N·m (350 in·lb)
Housing Strength Typical	Outer sleeve was mounted on a test stand with its axis parallel to horizontal and the housing mounted on the outer sleeve through an end hole. The housing supported 912 N (205 lbf) placed approximately 38 mm (1.5 in) from the unsupported end with the cover fastened in place and grounding liner installed.
Housing Impact Strength	Certified by BASEEFA to withstand two separate 4 Joule

	(5.4 ft-lb) impacts at -39°C (-38°F) and at 115°C (239°F). CSA verified that samples of the housing and cover could withstand a 7 Joule (9.5 ft-lb) impact at ambient room temperature.
Total System Weight	1.44 kg (3.2 lbm) typical with 0.3 metre (12 in) sleeve length.

Environmental Limits


Probe Temperature Range

Operating Temperature	-52°C to +177°C (-62°F to +351°F)
	 Exposing the probe to temperatures below -34°C (-29°F) may cause premature failure of the pressure seal.

Probe Housing and Proximitior Sensor

Operating Temperature	-52°C to +100°C (-62°F to +212°F)
Proxpac Storage Temperature	-52°C to +105°C (-62°F to +221°F)
Relative Humidity (PROXPAC XL Sensor and probe)	100% condensing, non-submersible when connectors are protected. When properly sealed, moisture should not enter the housing. Users should take precautions to prevent moisture from traveling through the conduit into the housing.
Hot Water and Steam Exposure Effects	(Specification not guaranteed) Brief periods (up to one week) of contact with hot water 95 °C (203 °F) and/or condensing steam should not significantly affect the

	strength of the plastic housing. Longer contact with hot water or steam may weaken the plastic housing during the first 6 to 8 weeks of exposure and ultimately reduce the housing strength to approximately half of the initial value. Tests of actual housing performance after contact with hot water and condensing steam have not been conducted.
Probe Pressure	The PROXPAC XL design seals differential pressure between the probe tip and the housing main body when used with a 3300 XL 8 mm probe. The sealing material inside the probe case consists of a Viton O-ring, whereas the O-ring between the sleeve and the housing is Neoprene. The plastic housing design is certified to seal against hose-directed water according to Type 4X and IP66 standards but does not resist internal or external pressure. Probes are not pressure tested prior to shipment.
	Contact our custom design department if you require a test of the pressure seal for your application.

 It is the responsibility of the customer or user to ensure that their installation will contain and safely control all liquids and gases should the PROXPAC XL transducer leak. Solutions with high or low pH values may erode the tip assembly of the probe, causing media to leak into surrounding areas. Bently Nevada LLC does not be held responsible for any damages resulting from leaking Proximity Probe Housing Assemblies.



In addition, PROXPAC XL transducers does not be replaced under the service plan due to probe leakage.

Compliance and Certifications

FCC

This device complies with part 15 of the FCC Rules. Operation is subject to the following two conditions:

- This device may not cause harmful interference.
- This device must accept any interference received, including interference that may cause undesired operation.

EMC

EN 61000-6-2

EN 61000-6-4

EMC Directive 2014/30/EU

RoHS

RoHS Directive 2011/65/EU

Maritime

ABS 2009 Steel Vessels Rules

1-1-4/7.7,4-8-3/1.11.1,4-9-7/13

Hazardous Area Approvals



For the detailed listing of country and product specific approvals, refer to the *Approvals Quick Reference Guide* (108M1756) available from Bently.com.

CSA/NRTL/C

3300 XL Proximitor Sensor

<p>ia</p> <p>When installed with intrinsically safe zener barriers per drawing 141092 or when installed with galvanic isolators.</p>	<p>Class I, Zone 0: AEx/Ex ia IIC T4/T5 Ga; Class I, Groups A, B, C, and D, Class II, Groups E, F and G, Class III;</p> <p>T5 @ Ta= -55°C to + 40°C. T4 @ Ta= -55°C to + 80°C.</p>
<p>nA, ec</p> <p>When installed without barriers per drawing 140979.</p>	<p>Class I, Zone 2: AEx/Ex nA IIC T4/T5 Gc; Class I, Division 2, Groups A, B, C, and D; Class I, Zone 2: AEx/Ex ec IIC T4/T5 Gc; Class I, Division 2, Groups A, B, C, and D;</p> <p>T5 @ Ta= -55°C to + 40°C T4 @ Ta= -55°C to + 80°C</p>

3300 XL Probe

<p>ia</p> <p>When installed with intrinsically safe zener barriers per drawing 141092 or when installed with galvanic isolators.</p>	<p>Class I, Zone 0: AEx/Ex ia IIC T5...T1 Ga; Class I, Groups A, B, C, and D, Class II, Groups E, F, and G, Class III;</p> <p>(see Temperature Schedule table to follow)</p>
<p>nA, ec</p> <p>When installed without barriers per drawing</p>	<p>Class I, Zone 2: AEx/Ex nA IIC T5...T1 Gc; Class I, Division 2, Groups A, B, C, D; Class I, Zone 2: AEx/Ex ec IIC T5...T1 Gc; Class I, Division 2, Groups A, B, C, and D;</p>

140979.	(see Temperature Schedule table to follow)
---------	--

ATEX/IECEx

3300 XL Proximitor Sensor


<p>ia</p>	<p style="text-align: center;"></p> <p>II 1 G Ex ia IIC T4/T5 Ga Ex ia IIIC T90C/T105C Dc For EPL Dc: T105C @ Ta = -55°C to 100°C T90C @ Ta = -55°C to +85°C</p> <table border="1" data-bbox="1117 625 1477 873"> <tr> <td>Ui= -28V</td> <td>Uo= -28V</td> </tr> <tr> <td>Ii= 140mA</td> <td>Io= 140mA</td> </tr> <tr> <td>Pi= 0.91W</td> <td>Po= 0.742W</td> </tr> <tr> <td>Ci= 47nF</td> <td>Co= 1.5nF</td> </tr> <tr> <td>Li= 1460µH</td> <td>Lo= 610µH</td> </tr> </table>	Ui= -28V	Uo= -28V	Ii= 140mA	Io= 140mA	Pi= 0.91W	Po= 0.742W	Ci= 47nF	Co= 1.5nF	Li= 1460µH	Lo= 610µH
Ui= -28V	Uo= -28V										
Ii= 140mA	Io= 140mA										
Pi= 0.91W	Po= 0.742W										
Ci= 47nF	Co= 1.5nF										
Li= 1460µH	Lo= 610µH										
<p>nA,ec</p>	<p style="text-align: center;"></p> <p>II 3 G Ex nA IIC T4/T5 Gc Ex ec IIC T4/T5 Gc</p> <table border="1" data-bbox="1117 1037 1477 1129"> <tr> <td>Ui= -28V</td> <td>Ii= 140 mA</td> </tr> </table> <p>T5 @ Ta= -55°C to + 40°C T4 @ Ta= -55°C to + 80°C</p>	Ui= -28V	Ii= 140 mA								
Ui= -28V	Ii= 140 mA										

3300 XL Probe



Probe entity parameters are met when used with BN extension cables and connected to BN Prox.

<p>ia</p>	<p style="text-align: center;"></p> <p>II 1 G Ex ia IIC T5...T1 Ga, (see Temperature Schedule table to follow)</p> <p>Ex ia IIIC T90°C ... T280°C Dc For EPL Dc:</p> <table border="1" data-bbox="1117 1661 1477 1801"> <tr> <td>Ui= -28V</td> <td>Ci = 1.5 nF</td> </tr> <tr> <td>Ii = 140 mA</td> <td>Li = 610 µH</td> </tr> <tr> <td>Pi = 0.91 W</td> <td></td> </tr> </table>	Ui= -28V	Ci = 1.5 nF	Ii = 140 mA	Li = 610 µH	Pi = 0.91 W	
Ui= -28V	Ci = 1.5 nF						
Ii = 140 mA	Li = 610 µH						
Pi = 0.91 W							

nA,ec		
	II 3 G Ex nA IIC T5...T1 Gc, Ex ec IIC T5...T1 Gc, (see Temperature Schedule table to follow)	
	U _i = -28V	I _i = 140 mA

Temperature Schedule

Temperature Classification	Ambient Temperature (Probe Only)
For EPL Ga and Gc	
T1	-55°C to +232°C
T2	-55°C to +177°C
T3	-55°C to +120°C
T4	-55°C to +80°C
T5	-55°C to +40°C
For EPL Dc	
T280°C @ Ta	-55°C to +232°C
T225°C @ Ta	-55°C to +177°C
T170°C @ Ta	-55°C to +120°C
T130°C @ Ta	-55°C to +80°C
T105°C @ Ta	-55°C to +100°C
T90°C @ Ta	-55°C to +40°C

Hazardous Area Conditions of Safe Use

CSA/NRTL/C:

ia

Install per Bently Nevada drawing 141092.

nA, ec

Install per Bently Nevada drawing 140979.

ATEX/IECEx:


ia


Install per Bently Nevada drawing 141092.

nA, ec

The Prox must be installed so as to provide the terminals with a degree of protection of at least IP54.

Ordering Information

 For the detailed listing of country and product specific approvals, refer to the *Approvals Quick Reference Guide* (108M1756) available from Bently.com.

 Order -00 or -01 (for multi approvals) for the A option and -00 or -000 for all other options to receive just a spare housing with Proximitor Sensor.

PROXPAC XL Proximity Transducer, English

330880-AA-BB-CCC-DD-EE

A: Probe and Approvals Option

00	No probe; Proximitor sensor without approvals
01	No probe; Proximitor sensor with Multiple Approvals
16	3300 XL 8 mm probe without approvals
28	3300 XL 8 mm probe with Multiple Approvals

B: Standoff Adapter Option (B Dimension)

	Order in increments of 0.5 in (13 mm).
	Minimum length: 1.5 in (38 mm)
	Maximum length: 7.5 in (191 mm)

Examples

00	No standoff adapter
15	1.5 in (38 mm)

C: Probe Penetration Option (C Dimension)

	For penetration lengths between 1.0 and 2.0 inches, counterbore may be required in machine case to reduce
--	---

probe side view and/or rear view effects.

Order in increments of 0.1 in (2 mm).


Minimum length: 1.0 in (25 mm)

Maximum length: 30 in (762 mm)

Examples

000	No probe sleeve
037	3.7 in (94 mm)
224	22.4 in (569 mm)

D: Fittings Option

 For 1/2-14 NPT fittings, order option -03 or spare 26650-01 reducers for either option -01 or -02.

00	No fittings; two plugs and two washers
01	One 3/4-14 NPT fitting, two plugs
02	Two 3/4-14 NPT fittings, one plug
03	One 3/4-14 NPT fitting, one 3/4-14 NPT to 1/2-14 NPT SST reducer and two plugs

E: Mounting Thread Option

00	No outer sleeve assembly
02	3/4-14 NPT (Required if ordering Standoff Adapter Option.)
05	7/8-14 UNF-2A

PROXPAC XL Proximity Transducer, Metric

330881-AA-BB-CCC-DD-EE

A: Probe and Approvals Option

0 0	No probe; Proximitor sensor without approvals
0 1	No probe; Proximitor sensor with Multiple Approvals
1 6	3300 XL 8 mm probe without approvals
2 8	3300 XL 8 mm probe with Multiple Approvals

B: Standoff Adapter Option (B Dimension)


	Order in increments of 10 mm. Minimum length: 40 mm Maximum length: 200 mm
Examples	
0 0	No standoff adapter
0 4	40 mm
2 0	200 mm

C: Probe Penetration Option (C Dimension)

	For penetration lengths between 25 and 50 mm, counter bore may be required in machine case to reduce probe side view and/or rear view effects. Order in increments of 1 mm. Minimum length: 25 mm Maximum length: 760 mm
Examples	
0 0 0	No probe sleeve
0 5 0	50 mm

7 6 0	760 mm
--------------	--------

D: Fittings Option (supplied as a kit)

0 0	No fittings; two plugs and two washers
0 1	One M25 fitting, two plugs
0 2	Two M25 fittings, one plug
0 3	One M20 fitting, two plugs
0 5	One PG21 to PG11 reducer, two plugs
0 6	One 3/4-14 NPT fitting, one 3/4-14 NPT to 1/2-14 NPT SST reducer and two plugs
0 7	One PG21 x M20 fitting, two plugs
0 8	Two PG21 x M20 fittings, one plug <div data-bbox="1068 877 1481 1394" style="border: 1px solid black; padding: 10px; margin-top: 10px;">  Conduit fittings are necessary when hardline conduit or metal piping is brought into the housing. If using flexible conduit, you should order with integral 3/4-14 NPT fittings so that you do not require additional conduit fittings with the housing. If using flexible conduit, order the D = 0 0 option. </div>

E: Mounting Thread Option

0 0	No outer sleeve assembly
0 1	M24 X 3
0 2	3/4-14 NPT (required if ordering Standoff Adapter Option)

Accessories

159484	Performance Specification - 3300 XL Proximity Transducer System
178761	Operation manual
178850-00	Upgrade Kit, Non-approved (Includes housing lid, 1-metre Proximitor sensor, and support table)
178850-05	Upgrade Kit, Multi-Approvals (Includes housing lid, 1-metre Proximitor sensor, and support table)
178644-01	Proximitor sensor support table
330180-12-00	Spare 3300 XL Proximitor sensor, non-approved
330180-12-05	Spare 3300 XL Proximitor sensor, Multiple Approvals
330105-02-12-10-02-00	Spare 3300 XL 8 mm probe, English, non-approved
330105-02-12-10-02-05	Spare 3300 XL 8 mm probe, English, approved
330106-05-30-10-02-00	Spare 3300 XL 8 mm probe, metric, non-approved
330106-05-30-10-02-05	Spare 3300 XL 8 mm probe, metric, approved
02120015	Bulk Field Wire 1.0 mm ² (18 AWG), 3-conductor, twisted shielded cable with drain wire. Specify length in feet.
37948-01	Probe Support / Oil Sleeve Provides seal along probe sleeve. May be used as a probe sleeve support in certain installations.

English Probe Sleeve (Spare)

108883 –AAA

This is the measured probe sleeve length. Order in increments of 0.1 in (3 mm). Note that the individual probe sleeve length **does not** include the distance from the end of the sleeve to the probe tip or the gap from the probe tip to the target material. If only the part number of the original housing is known and the sleeve cannot be measured, use the following formula to determine the sleeve length:

A: **Standoff Adapter Option** from original housing (**330800** option B) + Probe penetration option from original housing (330800 option C) + 025.

Example: Original part number is 330800-16-15-035-03-02. A option for replacement sleeve is (015 + 035 + 025) = 075.

Minimum Probe Sleeve Length:
3.5 in (89 mm) = 035

Maximum Probe Sleeve Length:
32.5 in (826 mm) = 325

Metric Probe Sleeve (Spare)

108882 –AAA

This is the measured probe sleeve length. Order in increments of 1 mm. Note that the individual probe sleeve length **does not** include the distance from the end of the sleeve to the probe tip or the gap from the probe tip to the target material. If only the part number of the original housing is known and the sleeve cannot be measured, use the following formula to determine the sleeve length:

A **Standoff Adapter Option** from original housing (**330801** option B) * 10 + Probe penetration option from original housing (330801 option C) + 063.

Example: Original part number is 330801-16-08-205-03-02. A option for replacement sleeve is (080 + 205 + 063) = 348.

Minimum Probe Sleeve Length:

88 mm (3.5 in) = 0 8 8

Maximum Probe Sleeve Length:

823 mm (32.4 in) = 8 2 3

English Standoff Adapter (Spare)

Hex = 1-3/8 in; threads = 3/4-14 NPT

109319 –AAA

Order in increments of 0.5 in (13 mm).

Minimum length: 1.5 in (38 mm)

Maximum length: 7.5 in (191mm)

Example: **0 2 0** = 2 in (51 mm)

Metric Standoff Adapter (Spare)

Wrench flats = 35 mm; threads = 3/4-14 NPT.

109318 –AAA

Order in increments of 10 mm.

Minimum length: 40 mm

Maximum length: 200 mm

Example: **0 5** = 50 mm

104968-01	English sleeve plug threaded, 303 stainless steel.
104968-02	Metric Sleeve Plug Threaded, 303 stainless steel. Plugs fill opening when sleeve is removed from machine case.
104288-01	English Blanking Plug
104288-02	Metric Blanking Plug. Blanking plugs are included with the Fittings Option "D". Spare plugs fill conduit holes in plastic housing where needed.

Heavy Duty Cable Fittings

03813103	Chrome-plated zinc conduit fitting, 3/4-14 NPT
03818100	AISI 316 stainless steel conduit fitting, 3/4-14 NPT
03818101	AISI 316 stainless steel conduit fitting, PG21 x M25
03818102	AISI 316 stainless steel conduit fitting, PG21 x M20
03818111	Nickel-plated brass conduit fitting, PG21 x M20
26650-01	AISI 303 stainless steel reducer 3/4-14 NPT to 1/2-14 NPT

Sealtite Flexible Conduit

14847 -AAA	1/2-14 NPT assembly
14848 -AAA	3/4-14 NPT assembly

A: Length Option

Order in increments of 1 ft (0.3 m).

Minimum length: 1 ft (0.3 m).

Maximum length: 99 ft (30.2 m)

Example: **0 5** = 5 ft (1.5 m)

Graphs and Figures

Note: All dimensions in millimeters (inches) except as noted.

**Frequency Response with Different Field Wiring
Lengths
without Barriers (1 m System)**

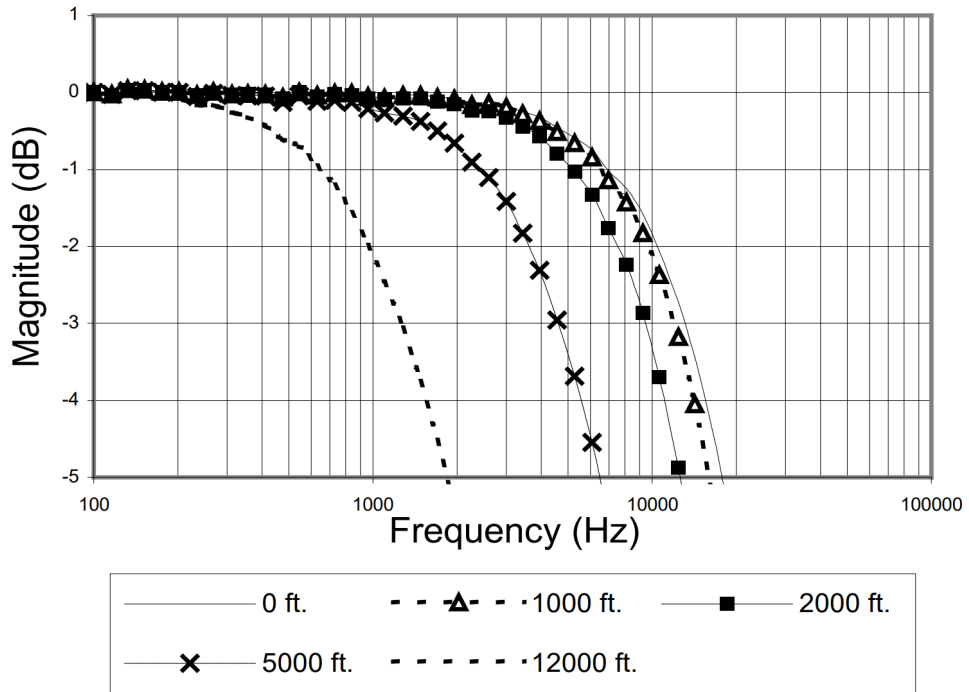


Figure 1: Frequency Response with Different Field Wiring Lengths without Barriers (1 m System)

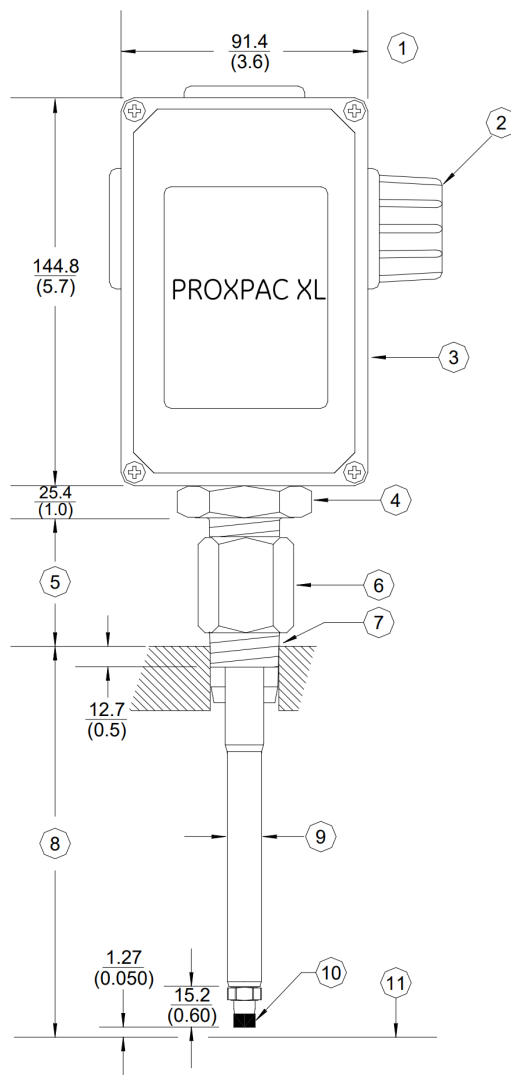


Figure 2: Dimensions for PROXPAC XL Proximity Transducer Assembly

1. Depth = 92.7 (3.65)
2. Fitting "D"
3. PROXPAC XL Housing
4. 42 (1.75) hexagonal
5. Dimension "B"
6. Standoff adaptor (optional)
7. 3/4-14 NPT
8. Dimension "C"
9. 12.7 (0.5) diameter stainless steel sleeve
10. Probe
11. Target surface

Figure information

- "B" plus "C" dimensions greater than 305 mm (12.0 in) require additional sleeve support near the probe to stiffen the assembly and avoid the influence of resonance.
- For desired probe penetration lengths of less than 51 mm (2.0 in), order a separate Individual Standoff Adapter. The effective probe penetration length will then be reduced by the length of the Individual Standoff Adapter, plus an additional 13 mm (0.5 in) due to the NPT thread engagement.
 - **Example:** The customer desires a probe penetration length of 25 mm (1.0 in). To do this, they order a 330800 housing with CXXX (probe penetration) option of 0 3 0 [76 mm (3 in)] and a separate individual standoff adapter that is 38 mm (1.5 in) in length (part number 109319-015). The standoff adapter would cover 38 mm (1.5 in) of the probe sleeve, plus an additional 13 mm (0.5 in). Therefore, the effective probe penetration length would drop to 25 mm (1.0 in).
- "B" plus "C" dimension represents mid-setting distance between mounting surface and target surface. Threaded sleeve allows ± 12.7 mm (0.5 in) adjustment from this point. "B" plus "C" dimension is 760 mm (30 in) maximum.

Copyright 2021 Baker Hughes Company. All rights reserved.



Bently Nevada, Proximitor, Proxpac and Orbit Logo are registered trademarks of Bently Nevada, a Baker Hughes Business, in the United States and other countries. The Baker Hughes logo is a trademark of Baker Hughes Company. All other product and company names are trademarks of their respective holders. Use of the trademarks does not imply any affiliation with or endorsement by the respective holders.

Baker Hughes provides this information on an "as is" basis for general information purposes. Baker Hughes does not make any representation as to the accuracy or completeness of the information and makes no warranties of any kind, specific, implied or oral, to the fullest extent permissible by law, including those of merchantability and fitness for a particular purpose or use. Baker Hughes hereby disclaims any and all liability for any direct, indirect, consequential or special damages, claims for lost profits, or third party claims arising from the use of the information, whether a claim is asserted in contract, tort, or otherwise. Baker Hughes reserves the right to make changes in specifications and features shown herein, or discontinue the product described at any time without notice or obligation. Contact your Baker Hughes representative for the most current information.

The information contained in this document is the property of Baker Hughes and its affiliates; and is subject to change without prior notice. It is being supplied as a service to our customers and may not be altered or its content repackaged without the express written consent of Baker Hughes. This product or associated products may be covered by one or more patents. See [Bently.com/legal](https://www.bently.com/legal).

1631 Bently Parkway South, Minden, Nevada USA 89423
Phone: 1.775.782.3611 (US) or [Bently.com/support](https://www.bently.com/support)
[Bently.com](https://www.bently.com)